

S-7180A

Single Needle Direct Drive Straight Lock Stitcher with Thread Trimmer,
Electric Feeding System and Presser Foot Lifter

With direct drive motor, electric presser foot lifter and stitch length control,
this machine offers beautiful sewing quality and high productivity.

- Stitch length control on operation panel
- Short remaining thread (3.5mm)
- Electric Presser Foot Lifter
- Sealed oil tank equipped



Advance & Convenience

Advance & Convenience

With direct drive motor, electric presser foot lifter and stitch length control, this machine offers beautiful sewing quality and high productivity.

1 Stitch Length Control on Operation Panel

It is possible to set the stitch length as a numerical value with this panel which has Easy-to-understand key layout, and display. It helps to improve productivity.



2 Short remaining thread, (3.5mm) doesn't require after-cutting process

The double action thread trimming mechanism cuts the thread right under the needle hole, realizing the short remaining thread at minimum of 3.5mm. In addition, using the beautiful mode to enhances the beautiful sewing end.



Conventional



S-7180A Standard



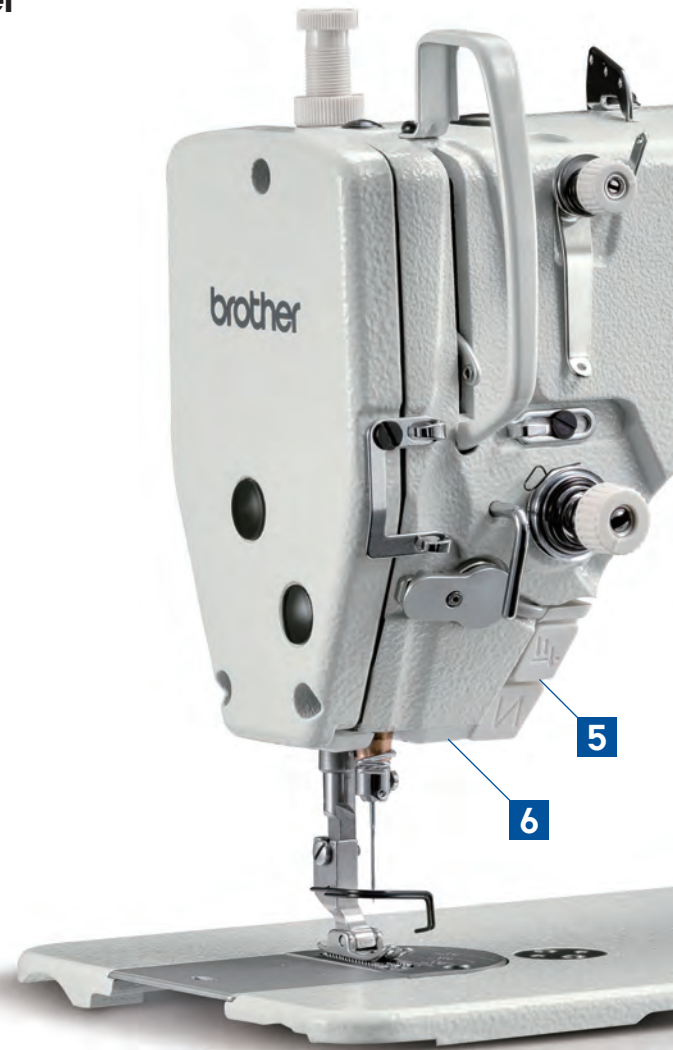
S-7180A Beautiful mode

3 Electric Presser Foot Lifter

It increases productivity and it reduces the sound compared with mechanical pressure.

4 Sealed Oil Tank Equipped

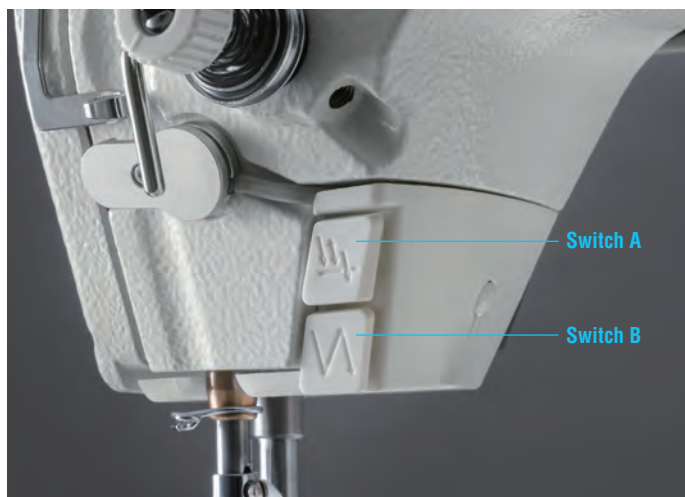
The sealed tank is equipped same as S-7250A.





5 Easy reverse sewing operation with hand switch

Useful functions are easily carried out with the 2 hand switches. You can assign the function to each switch with various combinations, and it enables your operator to use the machine



6 LED Light Equipped as Standard

Handy LED lights are equipped at the both side of the needle as a standard for better operation, and it prevents shadows on the garment.



Specifications/

S-7180A-81 P

Application
3 Medium materials
5 Heavy materials

S-7180A	-813P	-815P
Max. sewing speed	5,000sti/min	4,000sti/min
Max. back tacking speed		3,200sti/min
Max. stitch length	5mm	5mm*
Thread trimmer type	Double action thread trimming mechanism	
Thread presser	Standard equipment	
Hand Switch	Standard equipment	
LED light	Standard equipment	
Electric presser foot lifter	Standard equipment	
Height of presser foot lifter	Knee lifter:10~15mm / Automatic presser bar lifter:12mm	
Needle(DB×1•DP×5)	#11-#18	#19-#22
Height of feed dog	0.9mm	1.2mm
Motor	AC servo motor	
Weight	37kg	
Power	Single-phase:200~240V Max. electric power consumption 400VA	

* If you need 7mm specification, please contact our sales representative.



Support application



Facebook



Working with you for a better environment
www.brotherearth.com

Please read instruction manual before using the machine for safety operation.

- Product specifications are subject to change for improvement without notice.

- Photographs are for illustration purpose. They may not represent actual operation conditions and may display optional parts.

CHINA

BROTHER MACHINERY SHANGHAI LTD.

<https://www.brother.cn/>

+86-21-3135-3355

ASIA

BROTHER MACHINERY (ASIA) LTD.

<https://www.brother.com.hk/>

+852-2777-0010

EUROPE AFRICA, MIDDLE EAST

BROTHER INTERNATIONALE INDUSTRIEMASCHINEN GmbH

<https://www.brother-ism.com/>

+49-2822-6090

brother

BROTHER INDUSTRIES, LTD.

1-5, Kitajizoyama, Noda-cho, Kariya-shi, Aichi 448-0803, Japan.

Phone: 81-566-95-0088 Fax: 81-566-25-3721 <https://industrialsewingmachine.global.brother/>

2021.04 11041567Z Vol.3